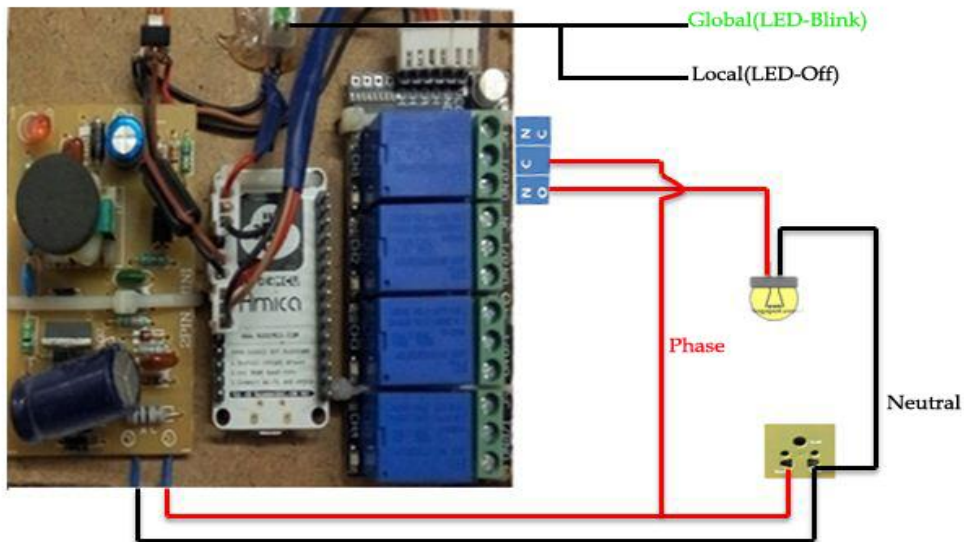
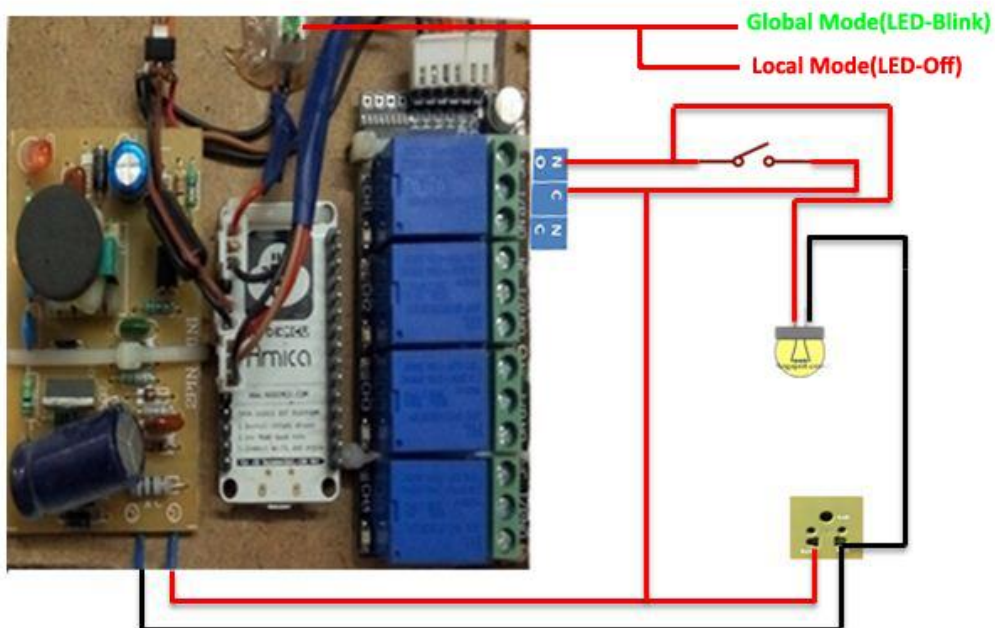


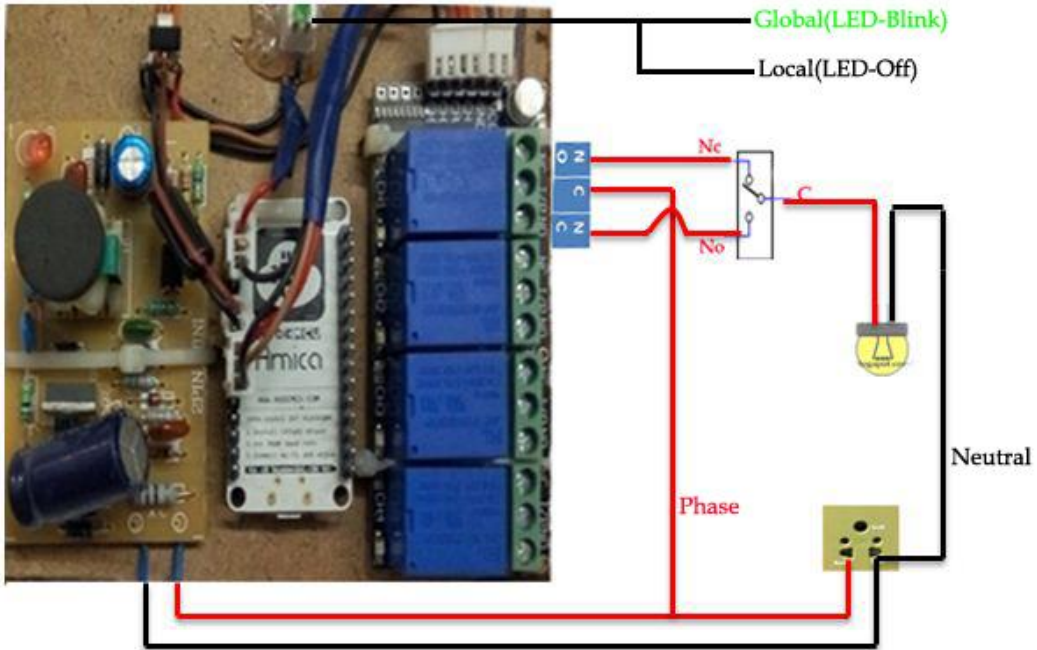
Direct Method



Using Single Phase Switch

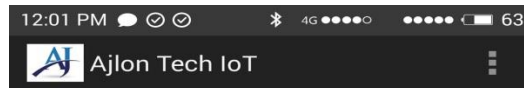


Using Double Way Switch



Global Mode

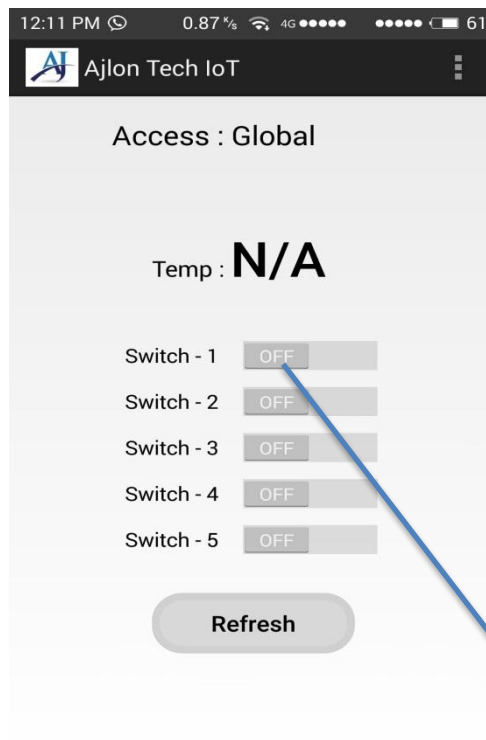
Step1:Enter the User Name and Password provided By Ajlon Technologies.
Then Click the **“SIGN IN”** Button.

A login form consisting of three vertically stacked elements. The top element is a text input field with a grey envelope icon and the placeholder text 'Email'. The middle element is a text input field with a grey padlock icon and the placeholder text 'Password'. The bottom element is a grey rectangular button with the text 'Sign In' centered on it.

User Name

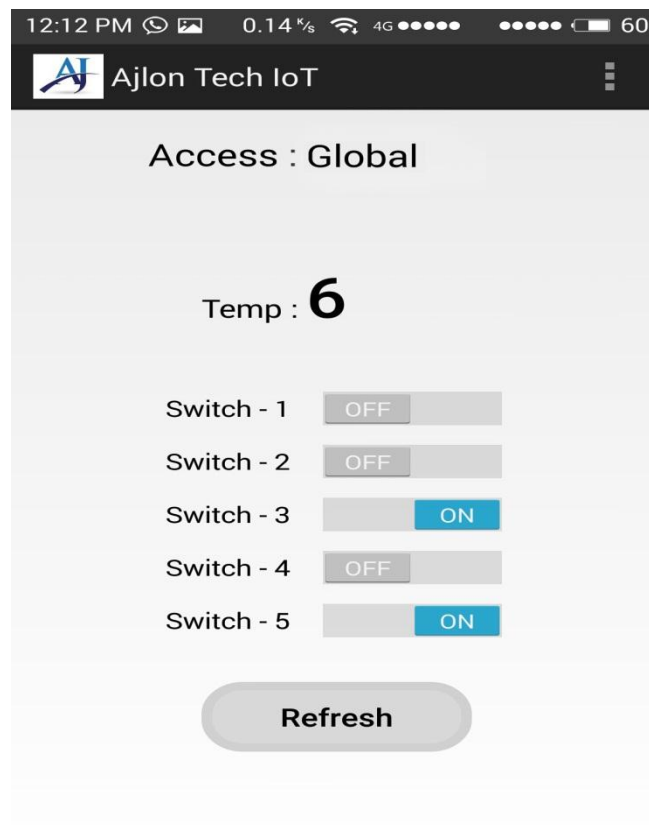
PassWord

Step2:Below page Will Occur after sign Up. Then Click “**REFRESH**” Button. Now the page will show the current status of connected devices of IoT unit. Which means how many device are On and OFF Conditions.

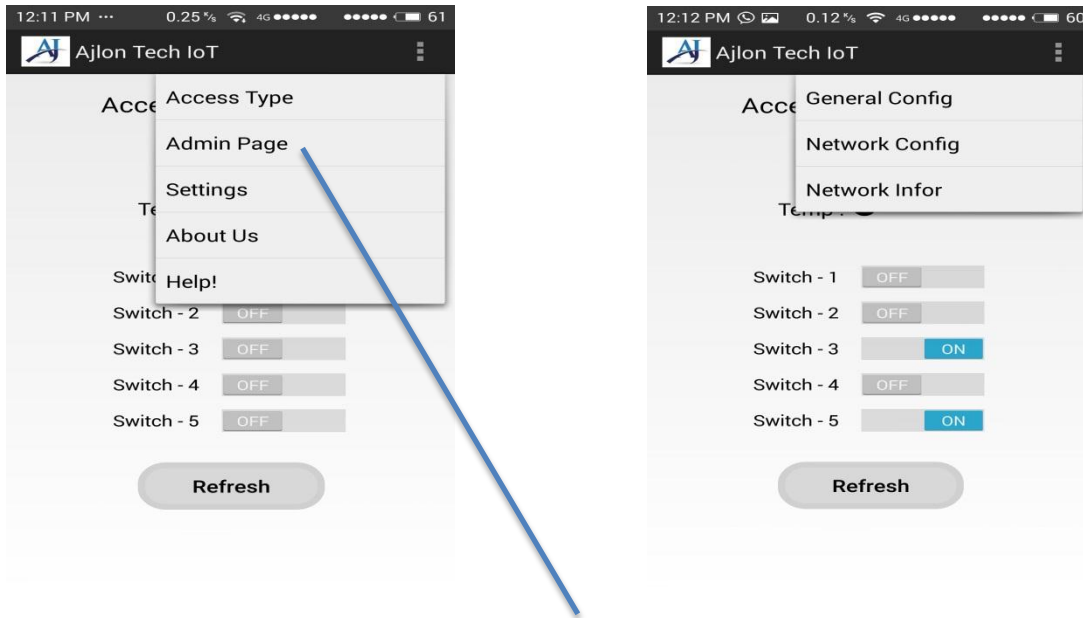


Device 1 is in OFF Condition

Step3:Now you Can Control your device by using “**AJLON TECH IOT MOBILE APP**”. But the process take few seconds to switch between **On** and **OFF**.



Step 4: If you want to know or change your AP(Access Point) Connection Goto **Menu -> Admin Page -> Network Config** as shown below.



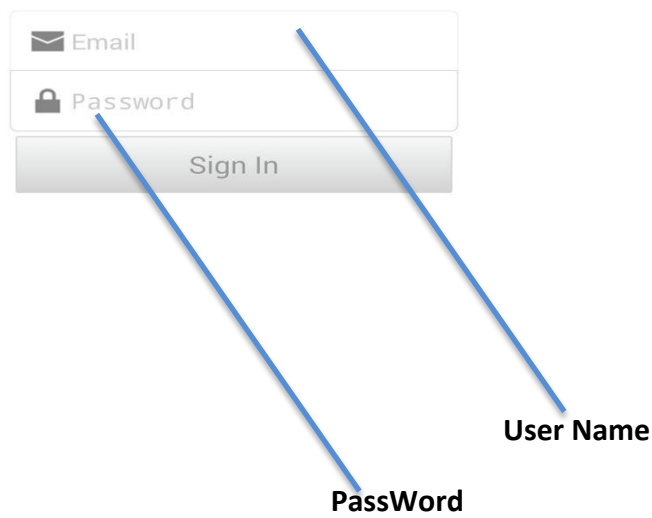
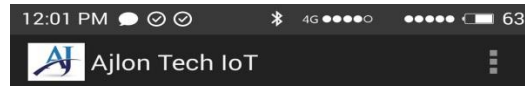
Click Here

Step5:You will be redirect to this below page.



Local Mode

Step1:Enter the User Name and Password provided By Ajlon Technologies.
Then Click the “**SIGN IN**” Button.



Step2:Below page Will Occur after sign Up. Then Goto the **MENU** → “**ACCESS TYPE**” → “**LOCAL MODE**”.



Choose Local Mode.

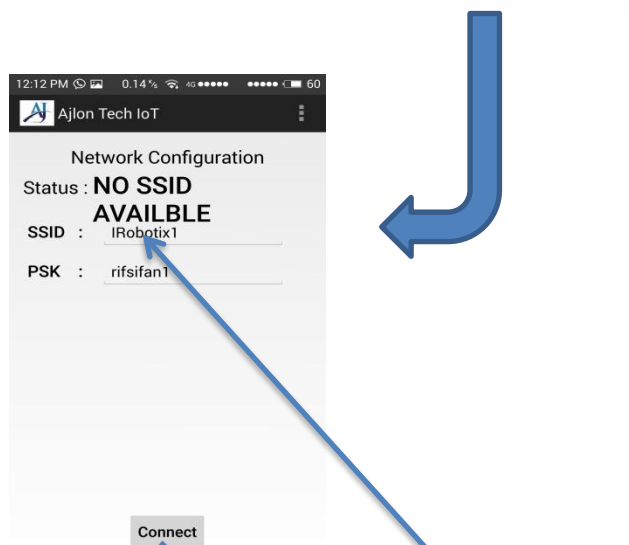
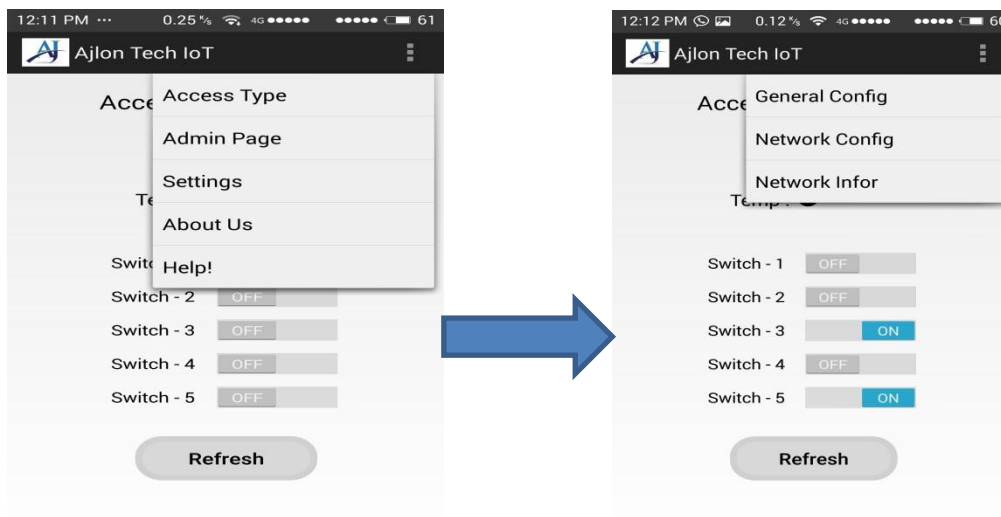
Step3:Again Goto **MENU**→**ADMIN PAGE**→**GENERAL CONFIG**→then enter the **MAIL ID** and **THERSHOLD VALUE** and click Set Button.

Mail Functions :

1. IoT Control device sends a mail if sensor value exceeds its threshold value (which you provide using app).
2. If you are using a dynamic ip Modem (AP), whenever the Public IP was changed it mails to you.

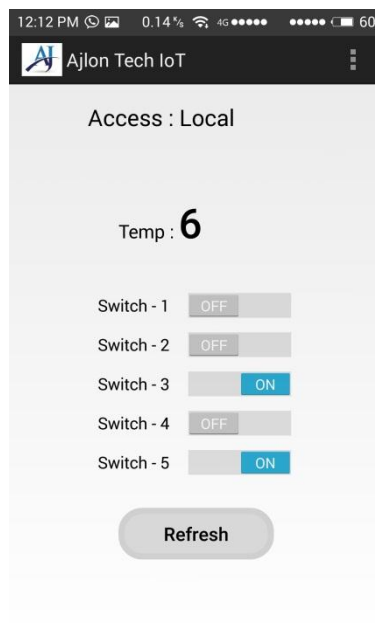


Step4:Again Goto **MENU** → **ADMIN PAGE** → **NETWORK CONFIG** → then Enter the **SSID** and **PSK** of your IoT device.

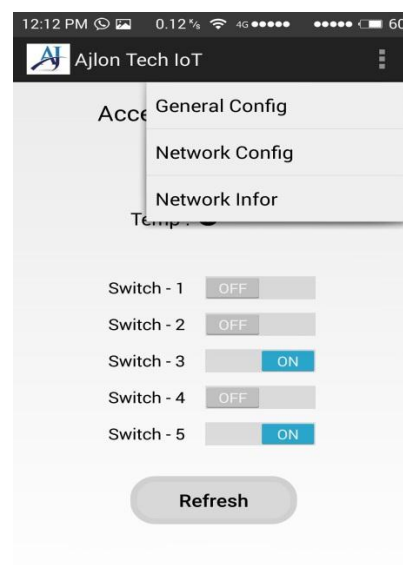
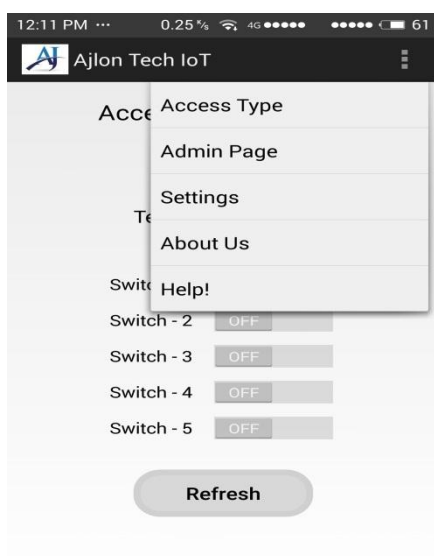


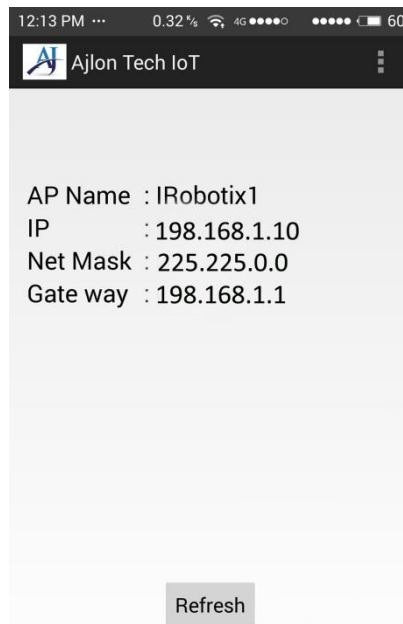
Enter the SSID and PSK Here
Click to here to connect

Step5:After Connecting the below page will occur now you can Control your IoT device Using “**AJLON TECH IoT APP**”. But Local mode only suitable for small area.

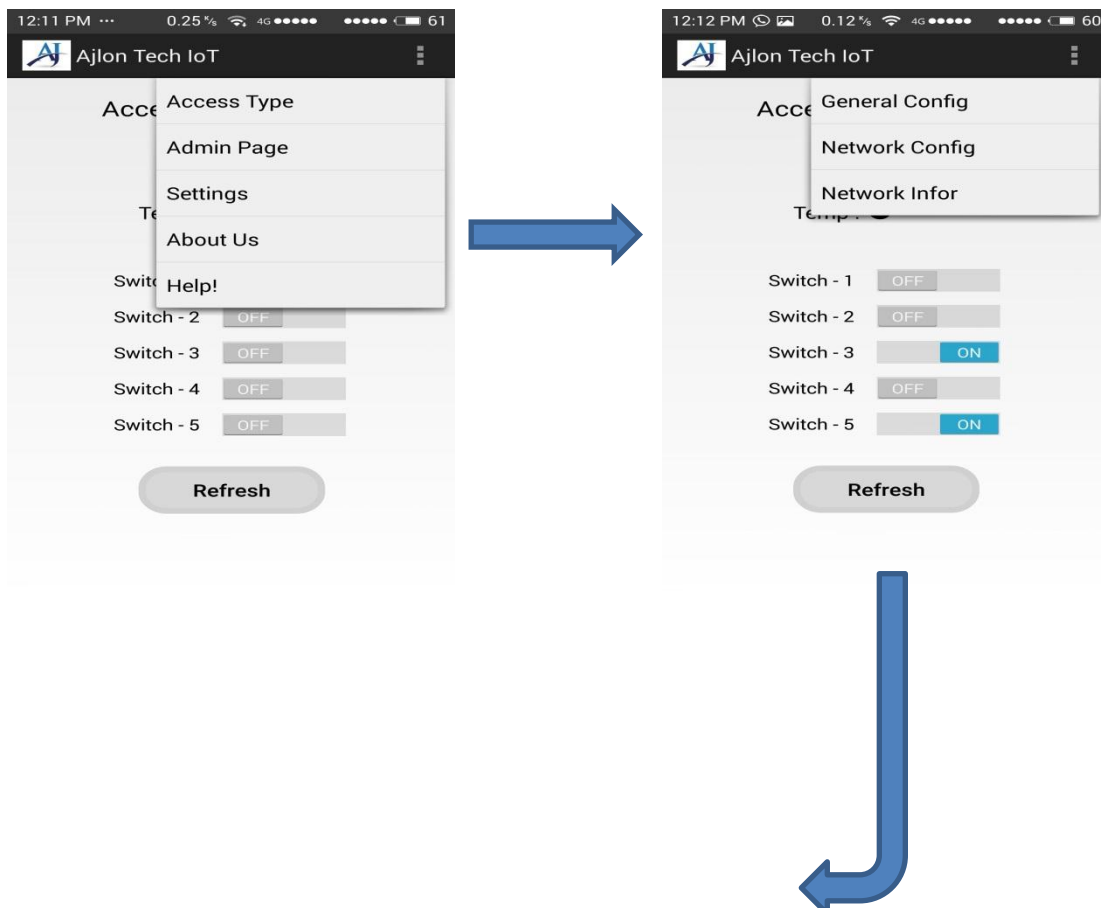


Step6:If you want to know the local mode ESP Connected to your AP or not
Goto **MENU**→**ADMIN PAGE**→**NETWORK INFOR.**





Step6:If you want to change local mode to Global mode Goto **MENU→ADMIN PAGE→NETWORK CONFIG→**then Enter the **WiFi SSID & PSK** (user name & Password) then Click the connect button.





Network Configuration

Status : **NO SSID
AVAILABLE**

SSID :

PSK :

Connect